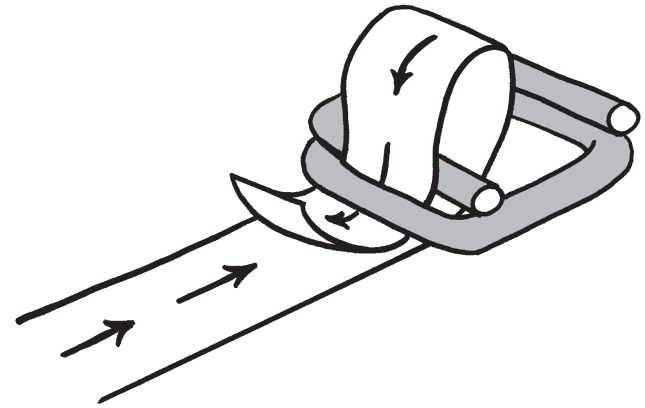
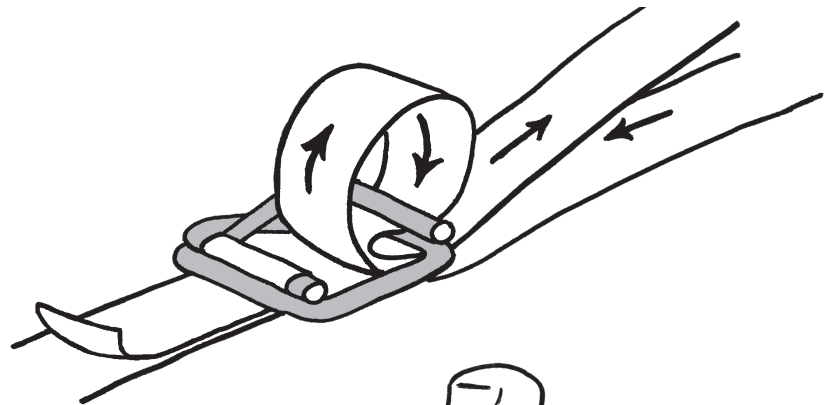


## GatorSTRAP™ BUCKLE THREADING INSTRUCTIONS

1. Begin by positioning the buckle prongs on top with open ends facing to the right.



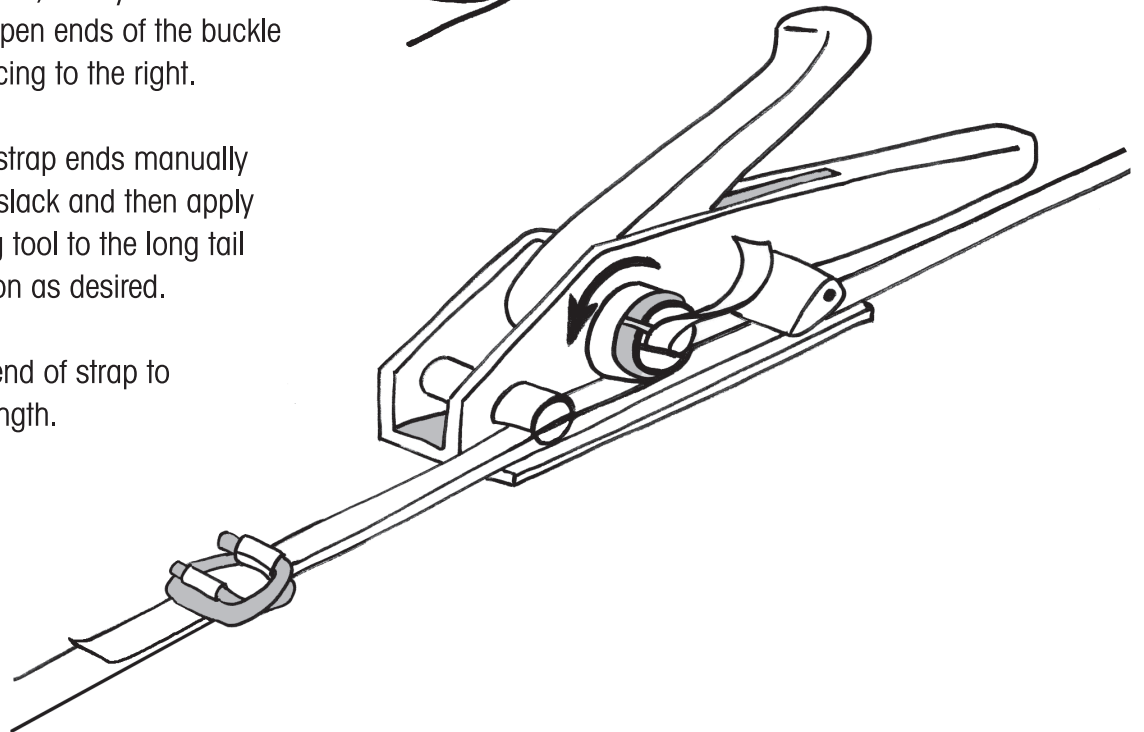
2. Form a loop on one end of the strap and insert it through the center of the buckle. Loop the strap over the top prong and continue in between the two prongs, leaving a tail of approximately 3 inches.



3. Repeat step 2 on the other side of the buckle, leaving a tail of approximately 20 inches.  
NOTE: to fully utilize the strength of the buckle, always tension with the open ends of the buckle prongs facing to the right.

4. Pull both strap ends manually to relieve slack and then apply tensioning tool to the long tail and tension as desired.

5. Cut long end of strap to desired length.



**CAROLINA STRAPPING**  
AND BUCKLES COMPANY



2740 West Franklin Boulevard | PO Box 12336 | Gastonia, NC 28052 | Ph. 704.349.0000 | Fax 704.349.0010

[www.CarolinaStrapping.com](http://www.CarolinaStrapping.com)